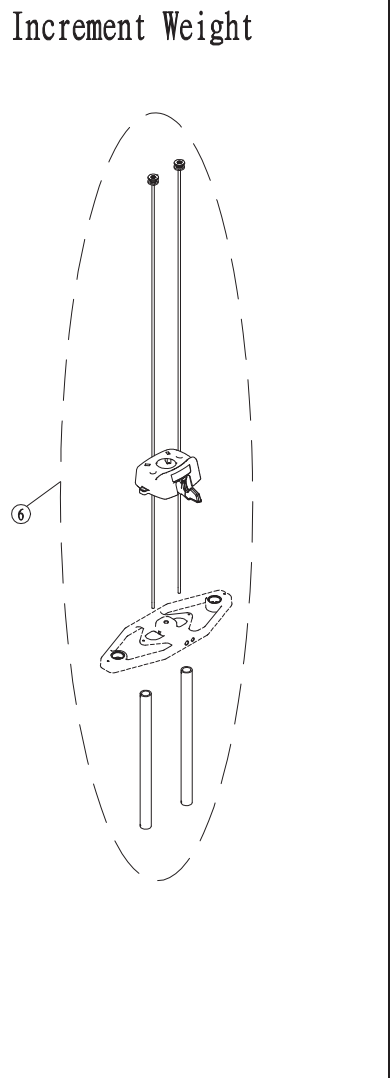
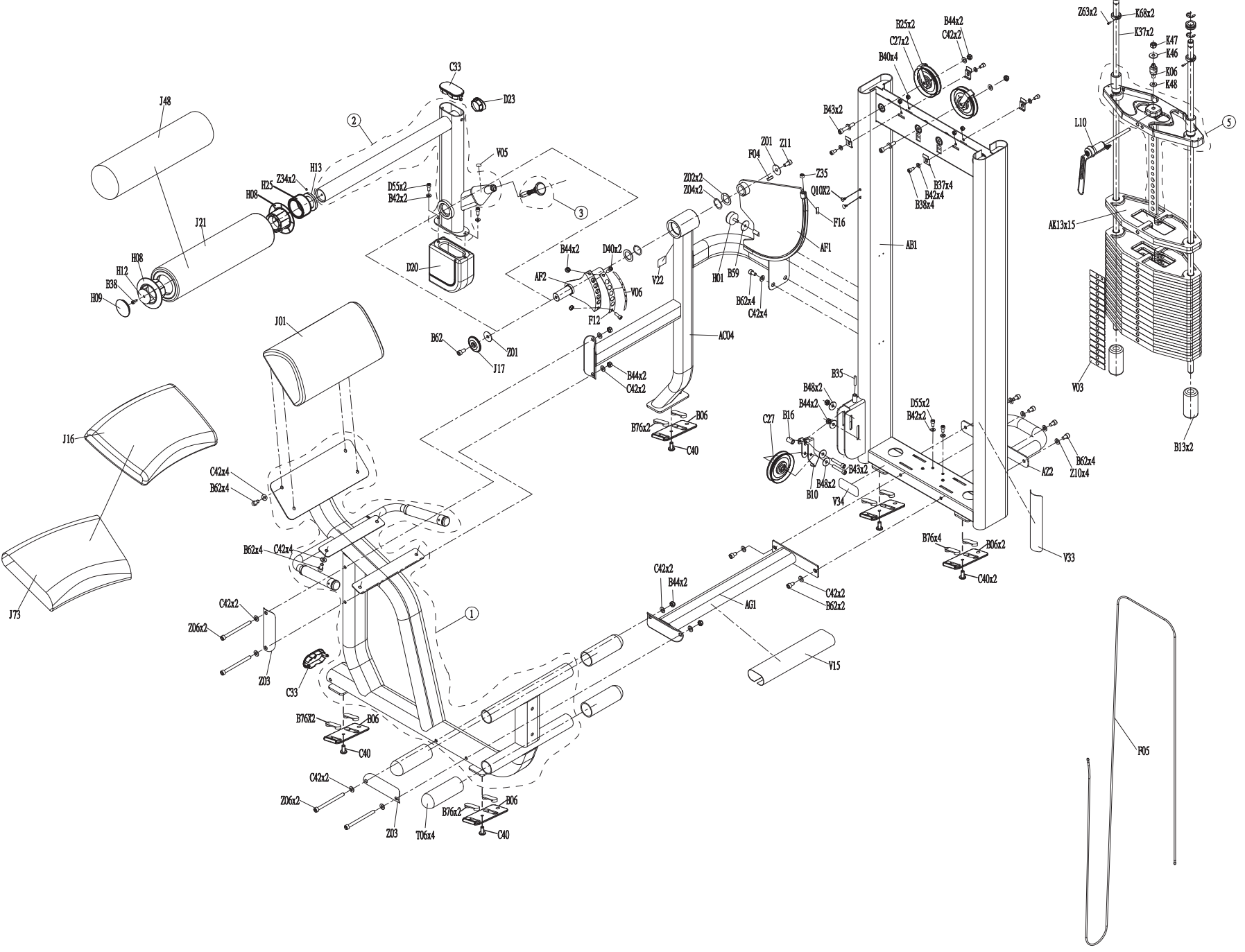
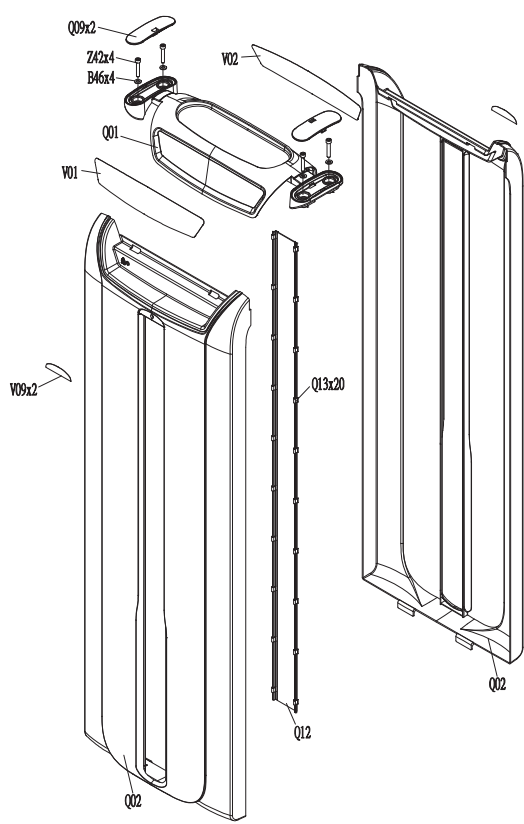
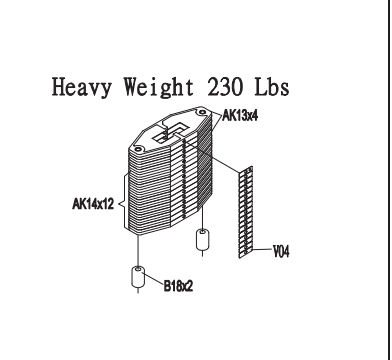
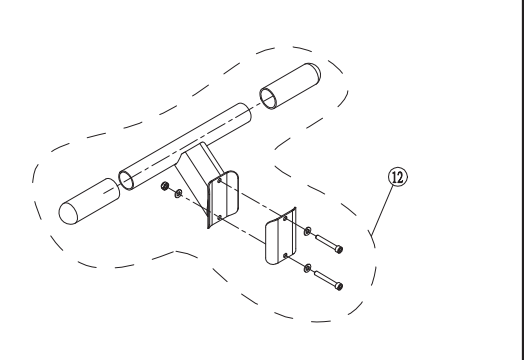
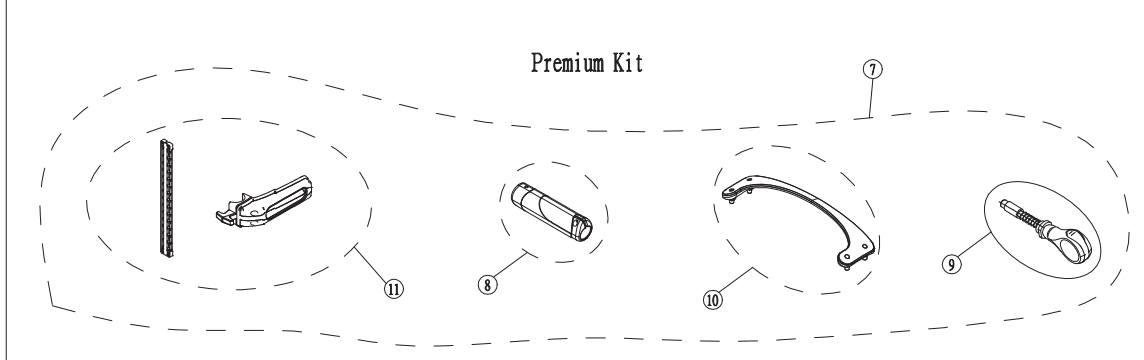
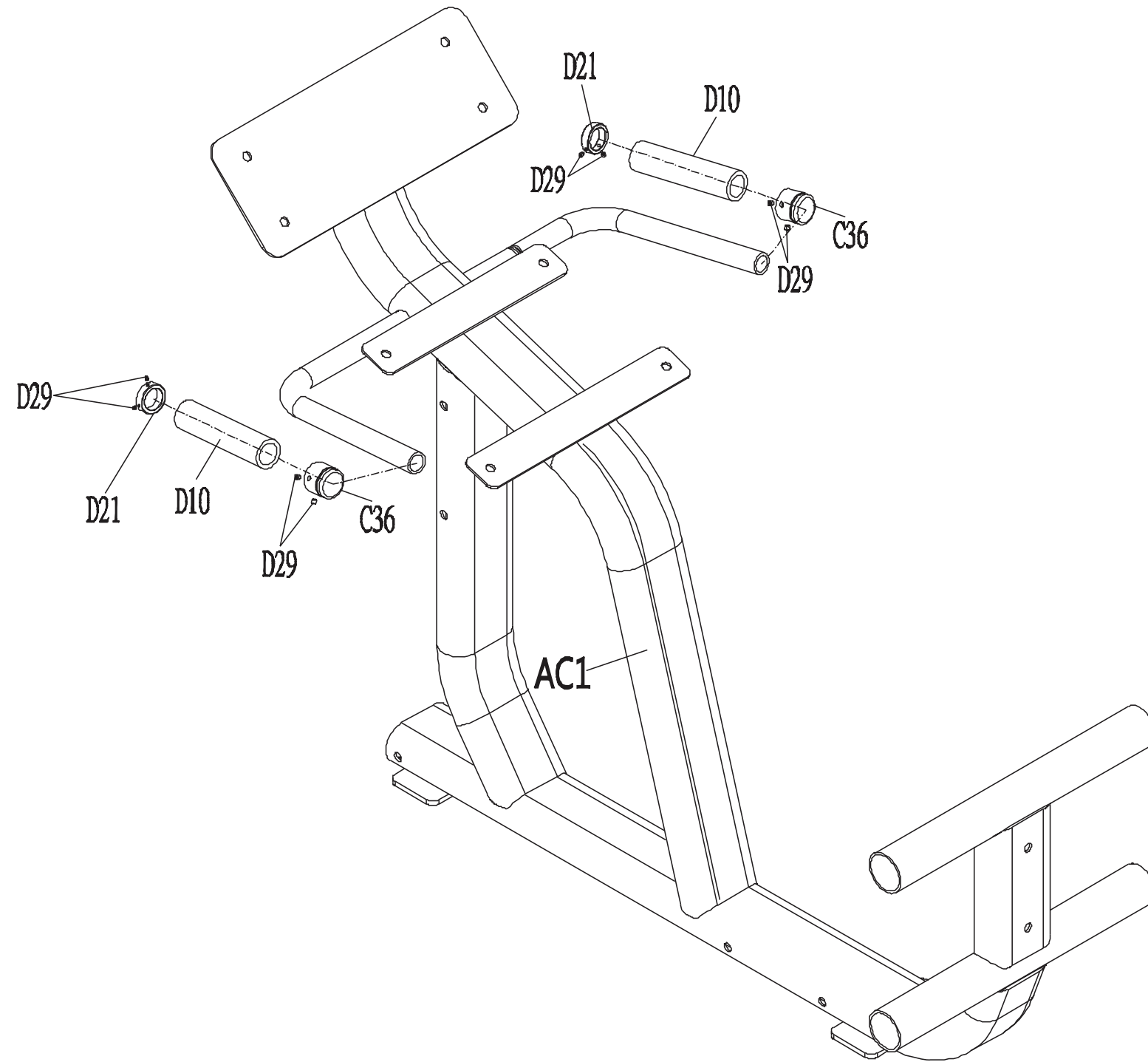


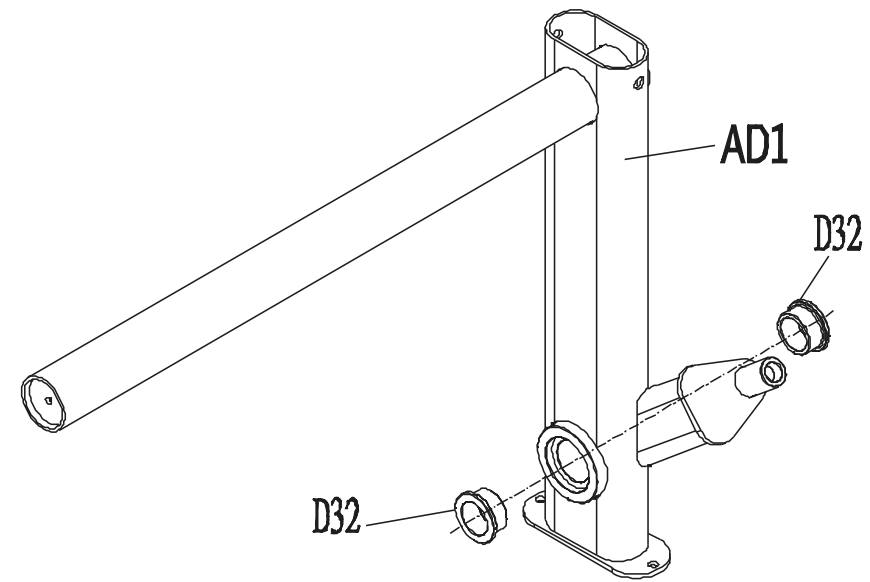
DRAWING NO	PVSGM71-KM		
PART NAME	Explosive Diagram		
PART NO	MGM0406-00	REV	A
APPROVE	wangtao	DATE	2021.06.22



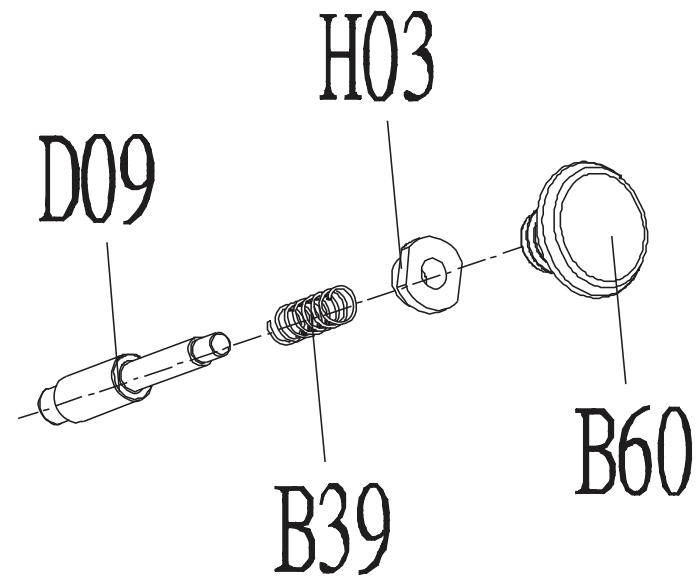
DRAWING NO	
PART NAME	BASE SET
PART NO	1000211440 <small>REV A</small>
APPROVE	MIKE DATE 20120113



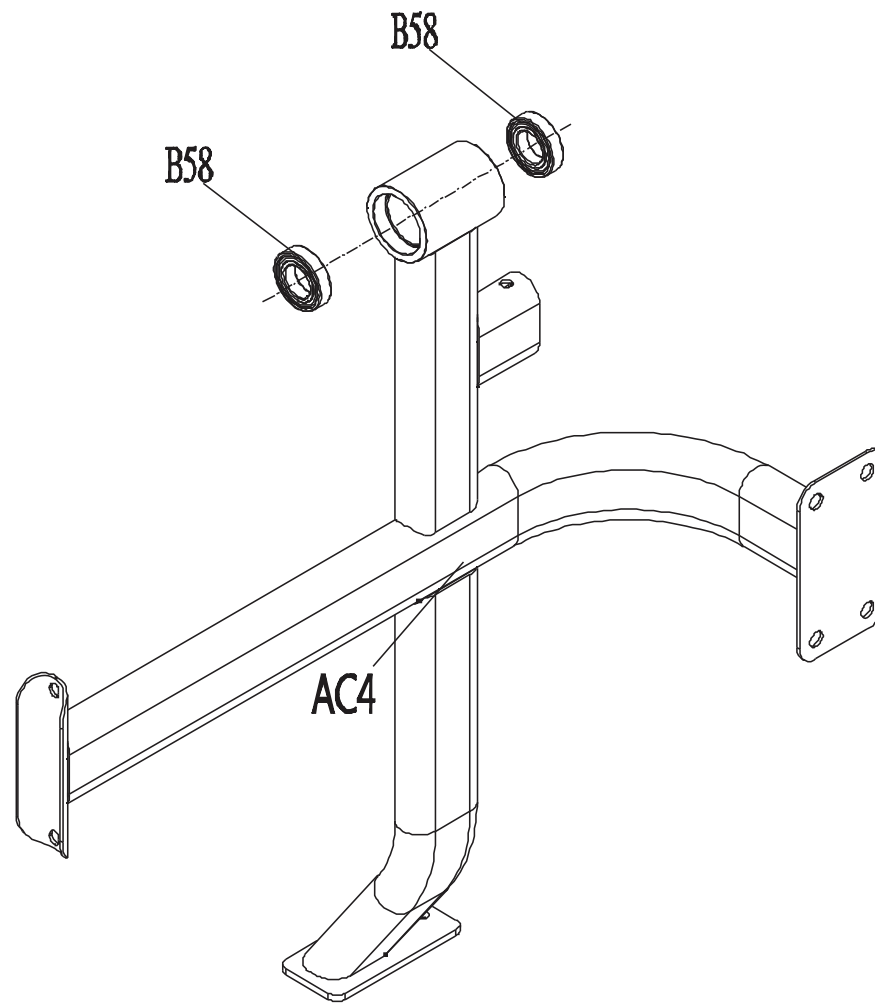
DRAWING NO	
PART NAME	ARM SET
PART NO	1000211429 <small>REV A</small>
APPROVE	MIKE DATE 20120113



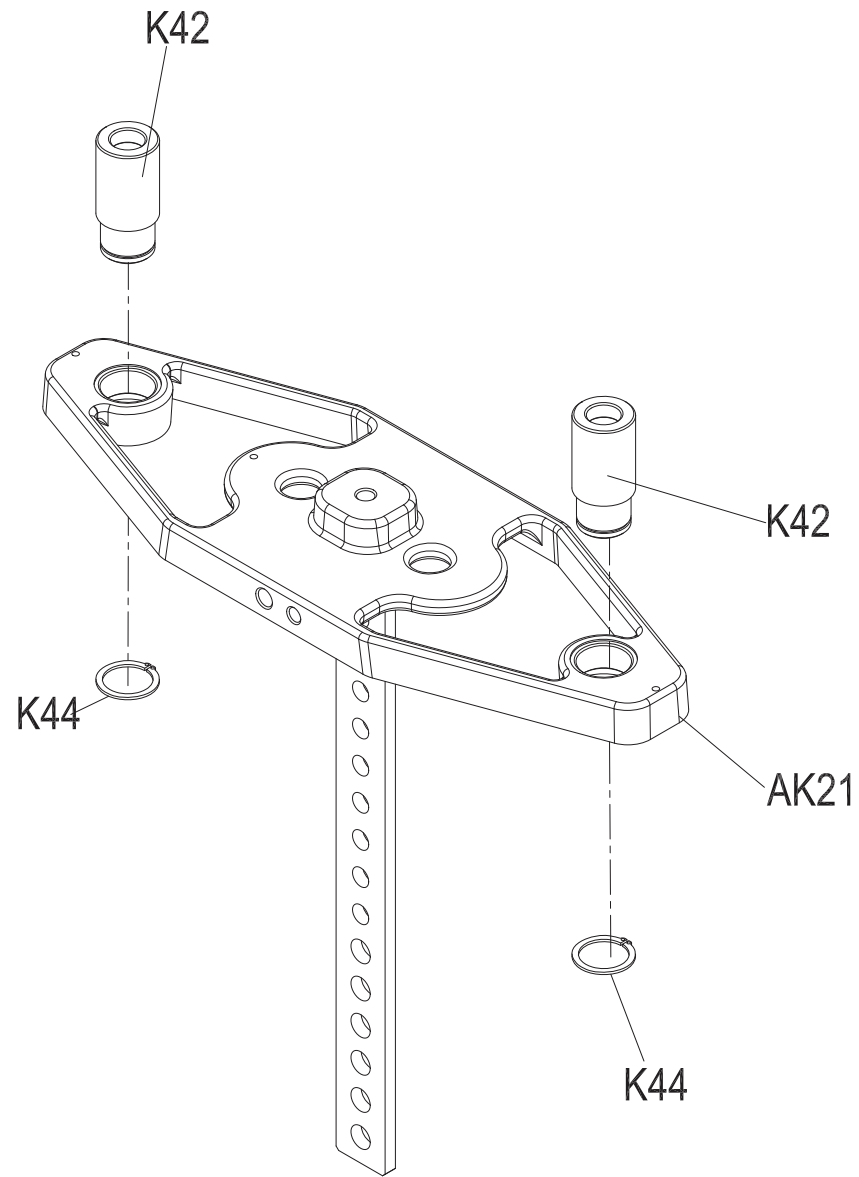
DRAWING NO	
PART NAME	PULL PIN SET;VALUE
PART NO	1000228717
APPROVE	MIKE
DATE	20120113



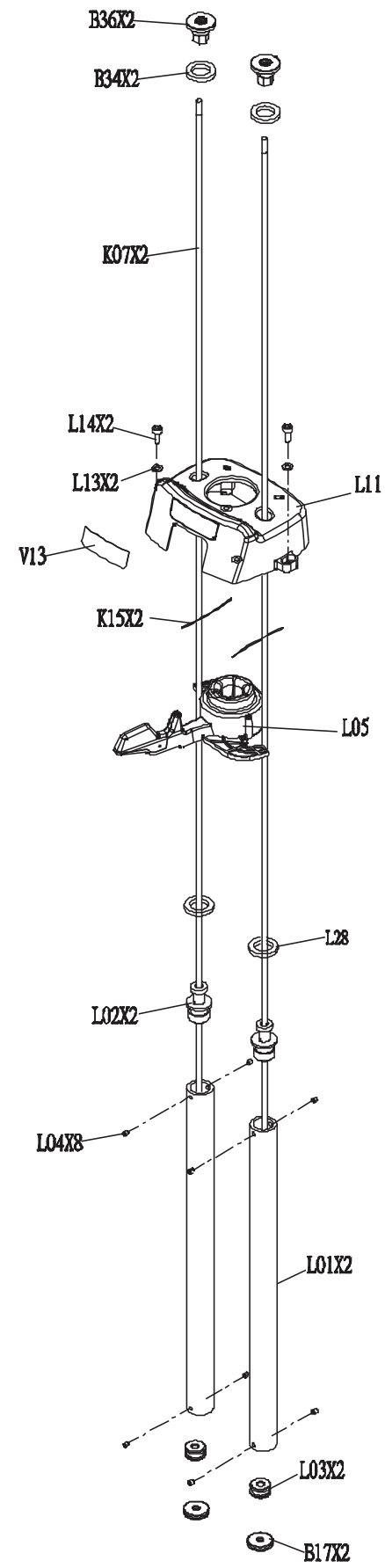
DRAWING NO	
PART NAME	ARM CONNECTING SET
PART NO	1000217239 A
APPROVE	MIKE DATE 20120113



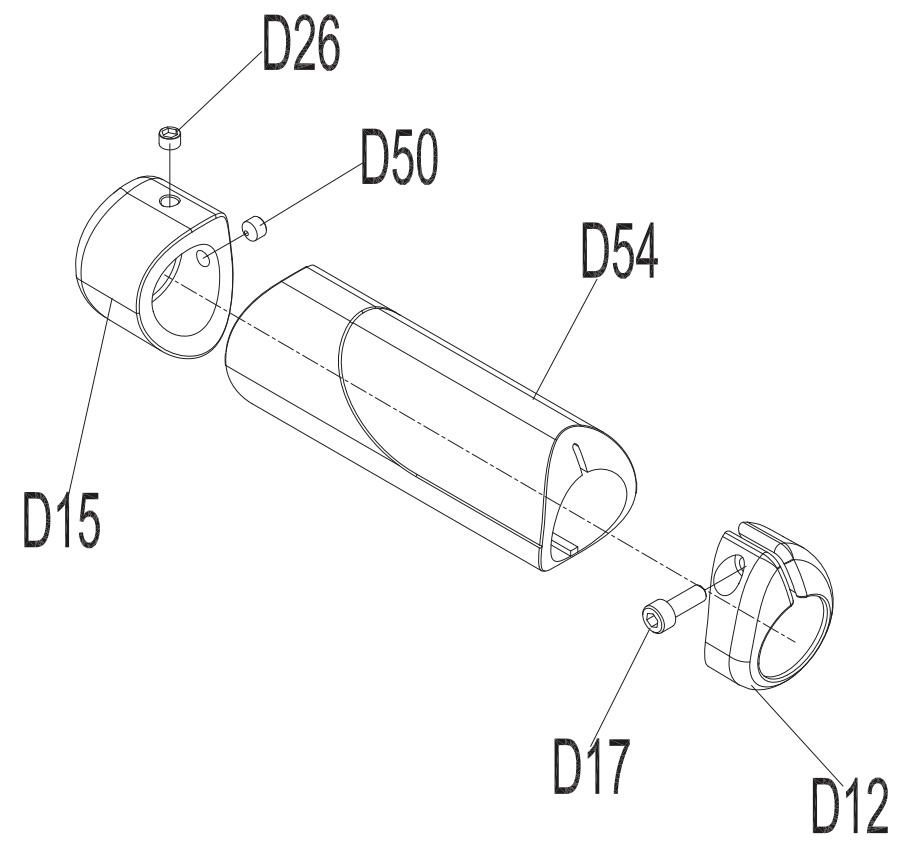
DRAWING NO			
PART NAME	Head Plate		
PART NO	1000207217	REV	A
APPROVE	CINDY	DATE	2012114



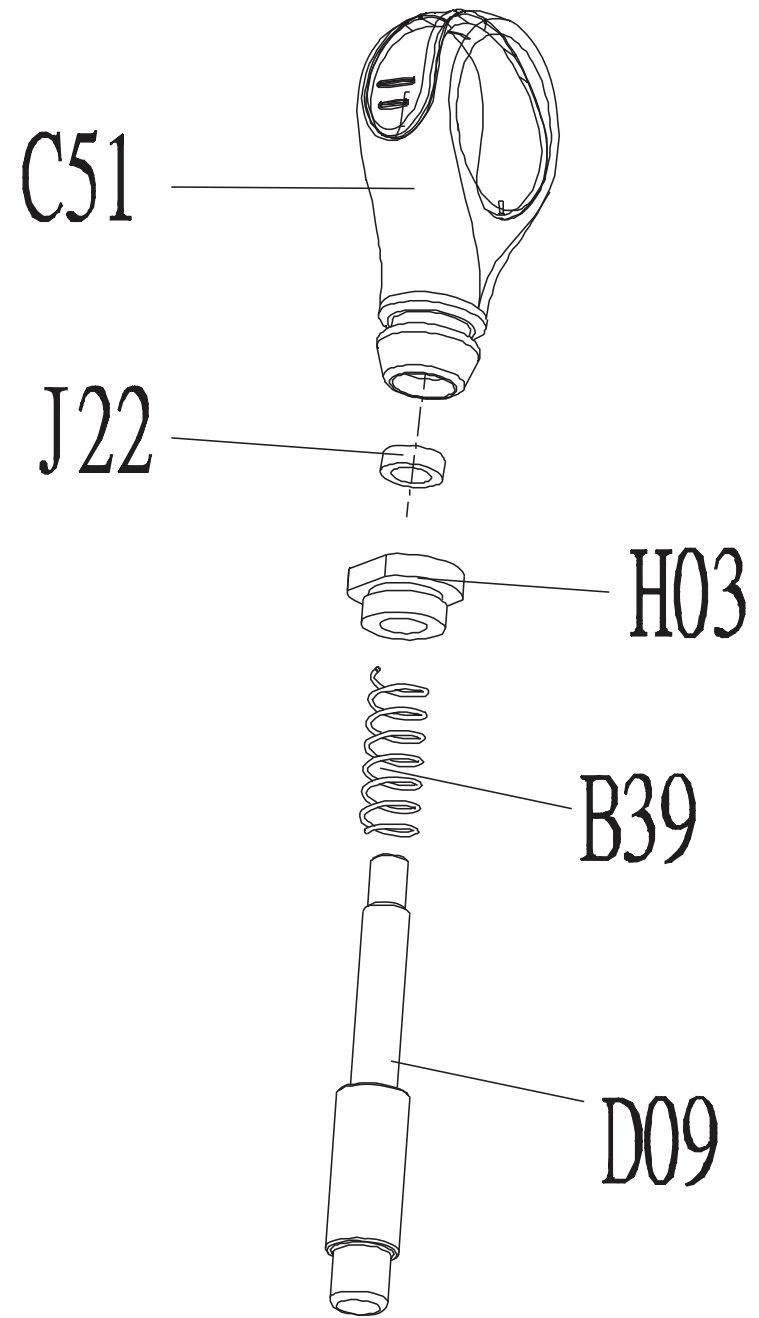
DRAWING NO	
PART NAME	Assistant Weight Plate Set
PART NO	1000113110 REV B
APPROVE	JOHN DATE 20120711



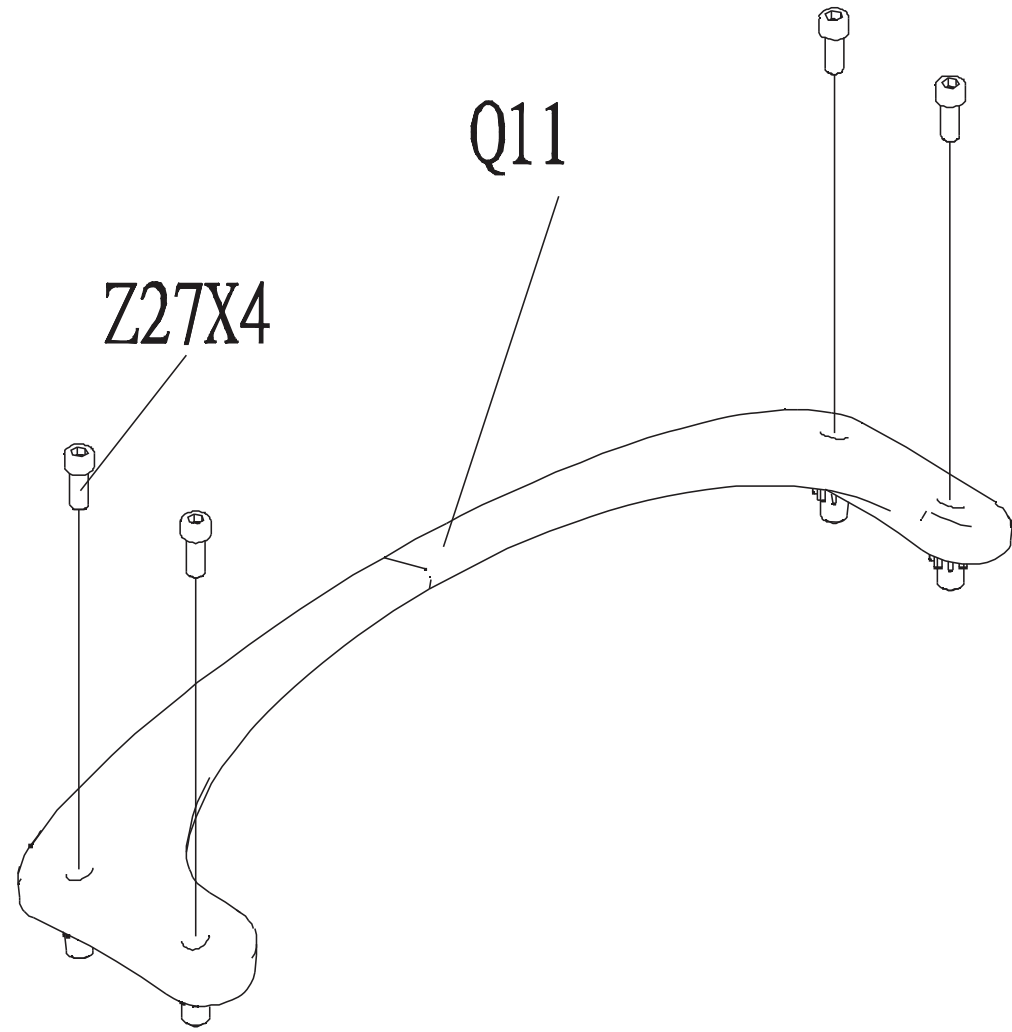
DRAWING NO	
PART NAME	GRIP;PREMIUM
PART NO	96179
APPROVE	CINDY
DATE	20111212
	REV A



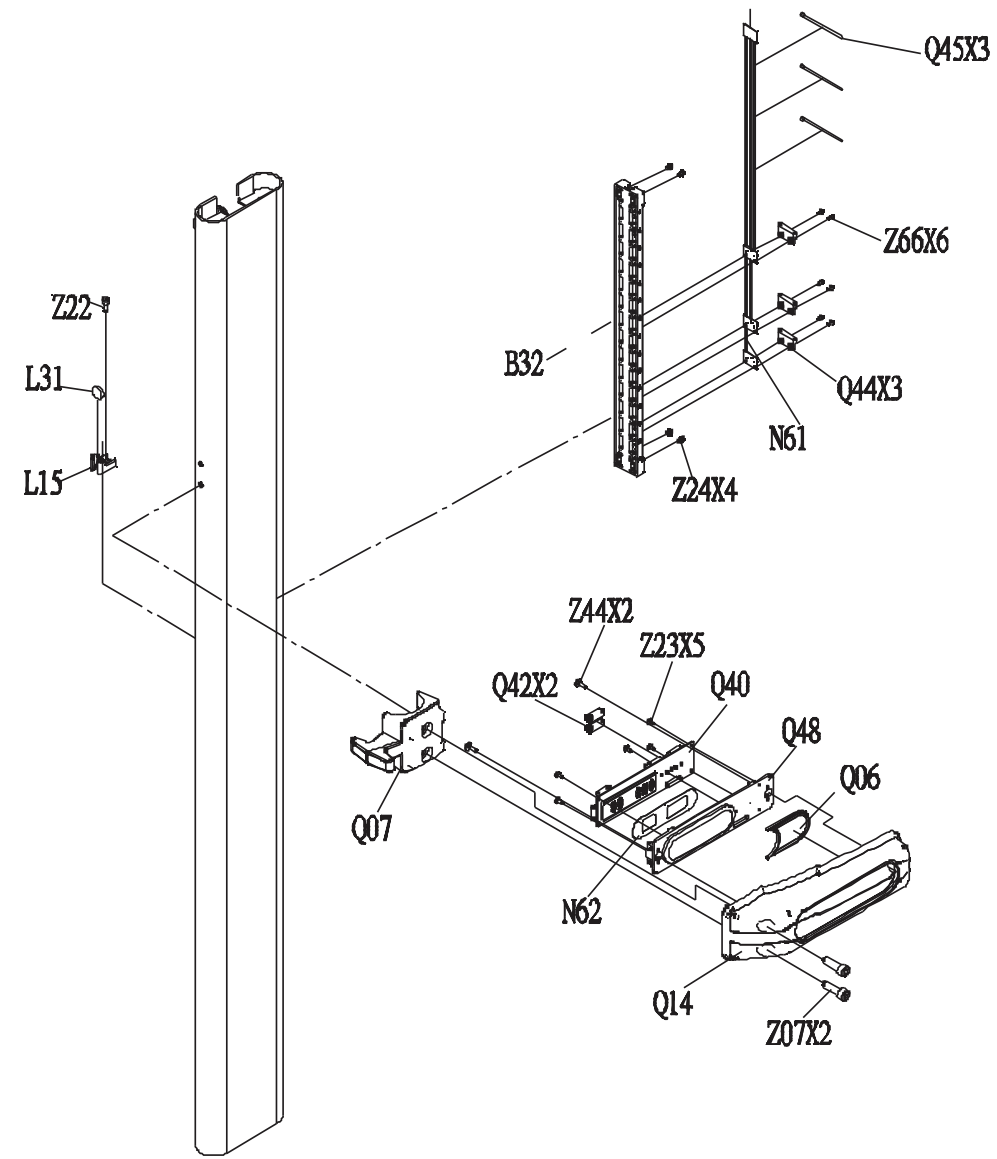
DRAWING NO			
PART NAME	PULL PIN SET;Premium		
PART NO	1000211407		
APPROVE	JOHN	DATE	20120727



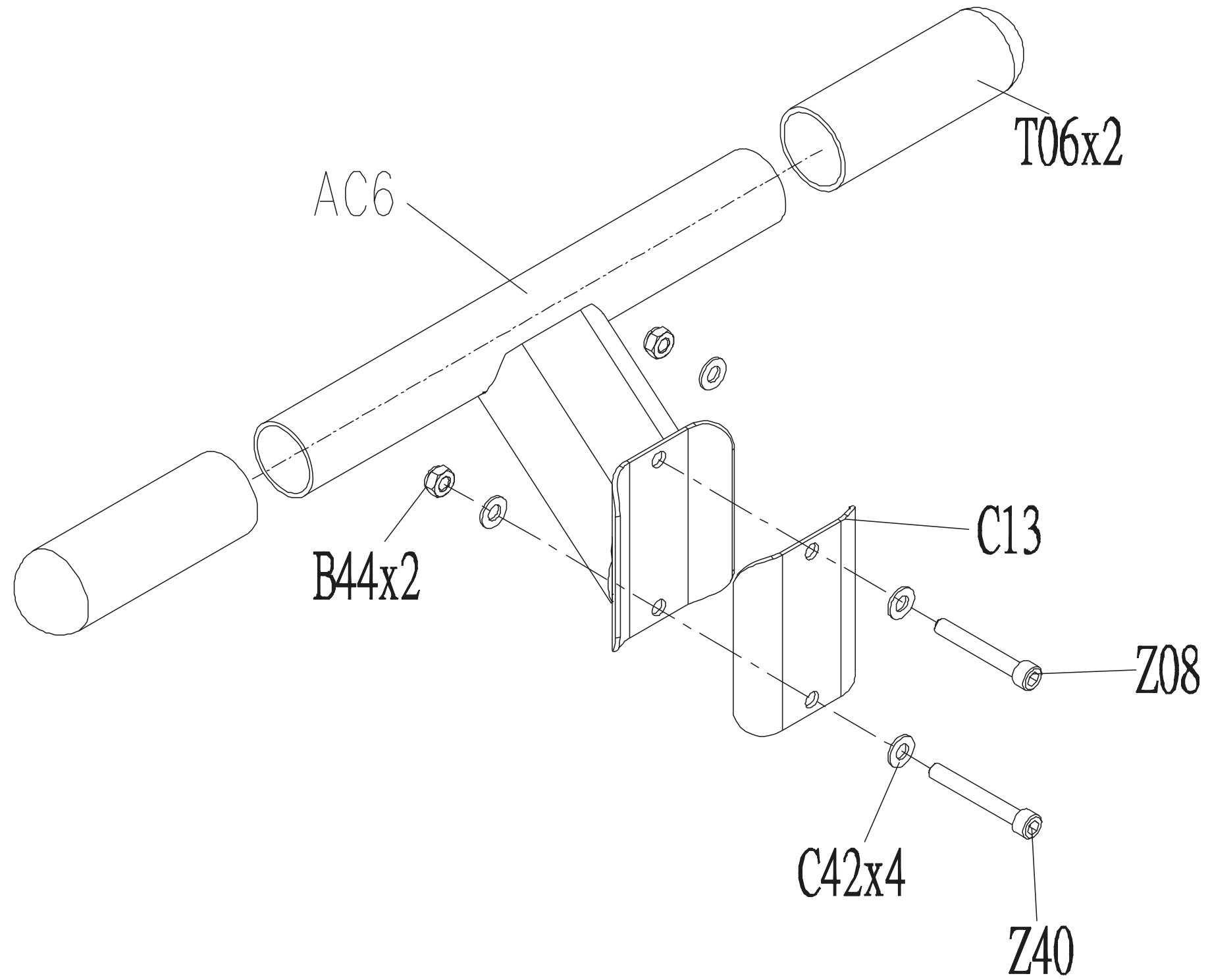
DRAWING NO	
PART NAME	SHIELD SET;U
PART NO	1000220477 <small>REV</small> A
APPROVE	PAUL DATE 20120711



DRAWING NO	
PART NAME	SENSE ORGAN SET
PART NO	1000200250 <small>REV</small> A
APPROVE	JOHN DATE 20120711



DRAWING NO			
PART NAME	PEDAL SET		
PART NO	1000219655 A		
APPROVE	JOHN	DATE	20120719



Bubble#	OEM Number	Description	Notes
1	1000211440	USER FRAME SET - GM71-KM -	
10	1000220477	PREMIUM - SHIELD SET U GM59 -	
11	1000200250	PREMIUM - REP COUNTER	
12	1000219655	PEDAL SET - - -	
2	1000211429	PEDAL ARM SET - GM71-KM -	
3	1000306602	Pull Pin Set FW210-KM assembly	Order Kit 9 for Premium.
5	1000207217	Wps Superstratum GM59	
6	1000113110	Assistant Weight Plate Set GM59-KM	Kit works with both light and heavy weight plate stacks.
7	1000219676	PREMIUM LEVEL SA - - - -	Contains all Premium Kit parts (Kits 8-11).
8	1000211408	HANDLE SET SA PREMIUM GM71-KM - -	2 per unit.
9	1000226576	PREMIUM - PULL PIN SET GM61 TWO	Premium version of Kit 3.
AB1	1000211471	FRAME SET - GM71-KM -	
AC04	1000217239	PEDAL ARM CON SET - GM71-KM -	
AF1	1000211412	TRANSMISSION SET - GM71-KM -	
AF2	1000217267	ADJUSTMENT SET - GM71-KM -	
AG1	1000211456	DISASSEMBLY CONNECT SET - GM71-KM -	
AK13	1000215667	Weight Plate axle sleeve - Extrawork,10LBS GM	
AK14	1000215776	WPS set axle sleeve - Extrawork,15LBS GM	
AK21	1000207218	Wps Set Superstratum Paint GM59	Kit works with both light and heavy weight plate stacks.
AZ2	1000227612	SUPPORT SEAT SET SA - - - -	
B06	1000303546	Plastic Pad Foot Pad - PP BL427	
B10	1000230611	SUPPORT PLATE WHEEL SPHC CHM GM59	
B13	1000112985	Elastomer Weight Plate GM59	
B16	1000108501	Bushing CON Rod Peadel Arm painting GM40	
B17	1000112984	Elastomer Assistant Weight Plate GM59	
B18	1000200252	RUBBER STOPPER - GM59	
B25	1000204728	FIXING PLATE ROPE WHEEL SPHC GM59-KM	
B32	1000096026	Fixing Base Sensor ABS GM40	
B34	1000215843	PLASTIC PLATE FRAME CR -	
B35	1000230891	SCREW SET M10X1.5PX65L FLATHEADED HS C	
B36	1000215844	Guide Rod fitting, Chromed	

B37	1000221624	BLOCK - - PAINTING - - -
B38	004479-ABX	Screw Hex Socket Round M8x1.25Px15L Cr A
B39	1000393222	Spring Compression 1.3x12.7x38Lx7 SWP
B40	004929-00	Nut Nylon M8x1.25P Chromed
B42	005145-AC	Washer Flat 8.2x19.0x2.0T Chromed
B43	1000108796	Screw RND M10x1.5Px55L HS CHM BP G12.9
B44	1000105174	Nut Nylon M10x1.5P G12.9 CHM
B46	005047-00	Washer Flat 8.2x20x1.8T Black Zinc
B48	005144-AC	Washer Flat 10.2X35.0X2.0T Chromed
B58	004079-A3	Ball Bearing 6006ZZ 30X55X13T TPI
B59	082535	WASHER FLT Diam.8.2XDiam.38.0X2.0T SPHC
B61	049256-AB	Screw Hex Socket Round M10x1.5Px20L Cr
B62	1000231572	SCREW SH M10X1.5PX20L HS BP CHM
B63	020096-00	Screw Hex Socket Round M8x1.25Px15L Chromed
B76	1000233200	PLASTIC COVER NBR BL
C13	1000219655	PEDAL SET - - -
C27	073573	Pulley 115mm
C33	1000205448	PLASTIC COVER - - - GM59
C36	009371-E	Cap Grip GM03
C40	004696-AB	Screw TH M8x1.25Px20L Hex Socket Chrom
C42	020465-AB	Washer Flat M10.2X25PX2.0T Chromed
C51	096165	Adjustment Grip Set - APPLY RED LOCTITE TO PIN THREADS WHEN INSTALLING REPLACEMENT HANDLE
D10	091689	Grip for AD1 or AD2
D12	096208	Adjustment Handle Lower Stopper Ring
D15	096209	Cap Grip Peadal Arm ADC12 GM42
D17	1000108801	Screw RND M5x0.8Px15L HS CHM BP G8.8
D20	1000216133	BALANCE PLATE - 10.4KG - - HT200
D21	009356-B	Stopper Mast Foam AL6061 GM03
D23	1000317876	End Cap PP Diam.X50.8
D26	020329-00	Set Screw M6X1.0PX12L
D29	084241	Screw Set M6X1.0PX5L BP POT

D32	1000098550	Bushing 38x30x20mm GM44
D40	0000086517	Screw Round Hex Socket M10x1.5Px25L
D55	020085-00	Screw Hex Socket Round M8x1.25Px20.0L Ad
F04	090443	Key Flat 10X8X20L GM30
F05		
F12	1000209698	ORNAMENT ADJ PLATE 3.0T SPHC : GM61-KM
F16	1000300002	Fixing Cap Guide Rail PP BL/Black C 18x
H01	1000487589	Stopper Block SBR BL/Black C FW202
H03	1000102675	Stopper Block Pull Pin GM43
H08	1000095593	Cap Leg Pad ABS GM42
H09	1000095594	Cap Leg Pad ABS GM42
H12	096073	CON Plate Cap SPHC3.0t GM42
H13	096074	Stopper Ring Cap AL6061 GM42
H25	1000304394	Bousing Round Pad - PVC 60x52x30.1L GM
J17	1000107219	Pulley Cover Small Base ABS GM44-KM
J22	1000205013	Ring Pull pin SPHC White Zinc GM59-KM D
K06	1000113106	Tightwire Fix Pin 45# GM59
K07	1000113102	Guide Rod SUS304 Diam.6X1421.7 GM59
K15	1000204997	Steel Weight Plate Up 1080 Spring Steel
K17	1000202352	Cushion Guide Rod
K37	1000209625	GUIDE ROD 45 - WEGHT PLATE
K38	1000102915	Circlip E Type E-15 Cr Plate
K42	1000215659	BUSHING GUIDE ROD POM
K44	1000102912	Circlip External C Type S-30 BED
K47	004945-00	Nut Nylon M12x1.75P Chromed
L01	1000113111	Incremental Weight Plate - GM59-KM - Pai
L02	1000113107	Axis Sheath Leader GM59
L03	1000211166	PLASTIC BASE ADD WEIGHT PLATE POM GM5
L04	1000210485	SCREW SET M5X0.8PX6L FLAT POINT HS G8.8
L05	1000200264	GRIPE ABS+TPR GM59
L10	1000201802	PULL PIN SET WPS GM62 -
L11	1000207213	COVER INCREMENTAL WEIGHT ABS - - -
L13	070571	Washer Flat 5.2X10.0X1.5T CHM
L14	1000108801	Screw RND M5x0.8Px15L HS CHM BP G8.8

L15	1000209576	PLASTIC BASE MAGNET ABS FIXING	
L15	1000209576	PLASTIC BASE MAGNET ABS FIXING	
L28	1000224913	Cushion Aaw Nbr BI	
L31	1000232864	PERMANENT MAGNET - 1500## ##	
N61	1000229510	WIRE DISPLAY BOARD -- OKI HARBOR 2.5-	
N62	1000096575	Overlay Manipulate GM40	
Not Shown	ZMS4003254	Decal, QR, VS-S52 Back Extension	
Q01	1000113113	Cover Up ABS GM59	
Q02	1000113114	Cover Front Clarity ABS GM59	
Q07	1000209577	PLASTIC BASE REP COUNTER - FIXING	
Q09	1000209593	END CAP ACCENT	
Q10	1000224767	Plastic Cover - - PP - - - -	
Q12	1000209591	PLASTIC BAR - PVC - LABEL	
Q13	1000303486	Clamp Cover -	
Q42	ZMS4001255	Battery, AA for console	
Q44	001679-00	Tie Strap Adhesive Nylon 66 HC-101 W	
Q45	005811-00	Cable Tie Nylon Black 160L	
T06	086732	Foam For50.8 Foot Pad PL01	
T06	086732	Foam For50.8 Foot Pad PL01	
V01	1000222974	INSTRUCTIONAL LABE COVER - PC FRONT	
V02	1000222975	INSTRUCTIONAL LABE COVER - PC REAR	
V03	1000215718	SPEC LABEL 10 LB WEIGHT PLATE BLACK PC	10lb labels.
V04	1000409123	Direction Label Weight Plate 230lbs/140k	15lb labels.
V05	1000215728	DIRECTION LABEL SEAT ADJUSTABLE PC	
V06	1000224661	DIRECTION LABEL ADJUSTIC - PC -	
V09	1000215704	MARKING GM59-KM	
V10	1000232600	Warning Label - - - PC - -	
V13	1000221799	DIRECTION LABEL AAW - PC -	
V15	1000224396	INSTRUCTIONAL LABE BASE TUBE PC DOWN G	
V22	093501	Warning sticker small GM40-KM	
V33	1000232600	Warning Label - - - PC - -	
Z01	1000097854	WASHER FLT Diam.10.2XDiam.38X3.0T SPHC	
Z02	1000098555	Washer Flat 30.3X45X2.0T SPHC WZN	
Z03	1000215741	FIXED SET - RD PAINTING - - GM63	

Z04	1000098556	Washer Wavy 30.5X39.2X0.4T
Z06	020111-ZA	Screw Hex Socket Round M10x1.5Px125L(Too
Z07	098577	SCREW HEX M8X1.25X35L
Z08	020098-AD	Screw Hex Socket Round M10x1.5Px70L Cr
Z10	049288-AB	WASHER FLT Diam.10.5XDiam.20.0X2.0T CHM
Z11	1000108806	Screw RND M10x1.5Px15L HS CHM BP G12.9
Z22	1000108803	Screw RND M5x0.8Px12L HS CHM BP G8.8
Z23	020196-A	Screw Phillip BH Tapped 3x6L Zn-BL
Z24	004870-00	Screw Plain Tapping Rail Lock 5x15L
Z27	020081-00	Screw SH M8X1.25PX60L HS G12.9
Z34	004855-AC	Set Screw M6X1.0PX4L
Z35	1000386527	Screw Set Screw M10X1.5PX10L Hex Socket
Z40	004518-00	Screw SH M10X1.5PX75L HS CHM
Z42	1000097206	Screw SH M8X1.25PX25L HS CHM BP
Z44	1000104672	Screw BH M5x0.8Px10L HS CST CST CST CHM
Z50	004855-AC	Set Screw M6X1.0PX4L
Z63	004442-AB	Screw Hex Socket Round M4x0.7Px10L
Z66	040816-A	Screw Phillip BH Tapped 3x8L
AC1	Part of Kit 1	BASE SET - R PAINTING - - GM71-KM
AC4	Part of Kit 4	PEDAL ARM CON SET - - PAINTING - - GM71-
AC6	Part of Kit 12	PEDAL Set PAINTING GM71-KM
AD1	Part of Kit 2	PEDAL ARM SET - L PAINTING GM71-KM
AK21	Part of Kit 4	Wps Set Superstratum Paint GM59
B60	Part of Kit 3	Pull Pin Handle TPP ORANGE GM59
D09	Part of Kit 3 or 9	AXLE 45 CHM PULL PIN 1 GM61
D54	Part of Kit 8	Grip Pedal Arm wrap rubber GM42-KM
J01	See Pad Matrix	Back pad BL GM53-KM
J16	See Pad Matrix	Seat Pad BL GM49-KM
J18	See Pad Matrix	Wear Cover
J21	See Pad Matrix	Round Pad Set Black GM44-KM
J22	Part of Kit 9	RING SPHC PULL PIN
J48	See Pad Matrix	Wear Cover
Not Shown	1000217441	Hardware Kit
Q06	Part of Kit 11	PLASTIC PAD DISPLAY TPE

Q11	Part of Kit 10	GRIPEND TOP COVER - - - ADC12	
Q14	Part of Kit 11	PLASTIC BASE COUNTER TPR GM59-KM	
Q40	Part of Kit 11	UCB Matrix GM40 H102S1.60	
Q48	Part of Kit 11	Fixing Base PC GM40	
V34	N/A	EN LABEL PC	Discontinued
3	1000228717	PIN SET SA GM71-KM	Discontinued - Order Kit 9 for Premium.
9	1000211407	PIN SET SA PREMIUM GM71-KM - -	Discontinued - Premium version of Kit 3.
9	1000201814	PREMIUM - Pin set SA ADJUS LEG PAD	Discontinued - Premium version of Kit 3.
B39	005485-E	Spring Stretch SWP	Discontinued
B42	005040-AB	Washer Flat 8.4X15.5X1.6T	Discontinued
D23	1000099650	End Cap ABS combine 50.8 Tube GM50-KM	Discontinued
F05	1000211419	STEEL ROPE Diam.4.8x3585L GM71	Discontinued
H01	090440	Stopper BlockRubber GM30	Discontinued
K68	062949-B	Limiter Ring Guide Rod	Discontinued
L01	1000215719	BUSHING Q195 - AAW	Discontinued
Q13	1000209592	CLAMP COVER TINNEMAN D43806-014 - - -	Discontinued
V04	1000215727	DIRECTION LABEL WEIGHTPLATE#15LBS PC	Discontinued - 15lb labels.
Z03	1000226805	FIX SET SA GM63 SERVE	Discontinued